

DESIGN BY:

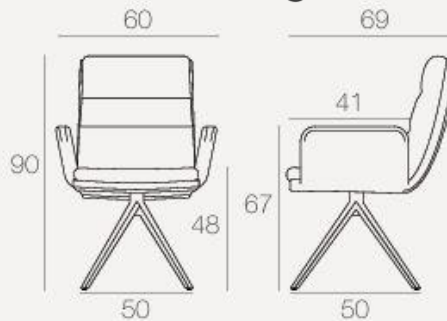
AKANTE



G2
Charcoal



BEIGE



Unit : centimetre

TECHNICAL INFORMATION

Seat :

Seat swivels 360°

Density of foam padding 25kg/m³

Fabric :

100% polyester fabric

Martindale : 60 000

Light resistance : 5/5

Resistance to pilling : 5/5

Resistance of colour to rubbing : 5/5

Fire resistance : Complies with current European standard EN 1021-1 (cigarette resistance)

Fire resistance : Complies with current European standard EN 1021-1 (flame resistance)

Base :

Powder coated steel*

*Powder coating is a «dry» spraying technique that uses no solvents that are harmful to people or the environment. This technique complies with European REACH regulations, which control the use of chemicals in industry.

Net weight : 11 kg

Maximum supported weight : 120 kg

Seccom Ltd

68, Athalassa Ave, 2023 Strovolos Nicosia - Cyprus

P.O.Box 28786, 2082 Nicosia - Cyprus



+357 22 446877



+357 22 491573



info@seccom.com.cy



www.seccom.com.cy



ISO 9001 ISO 14001