

Storage



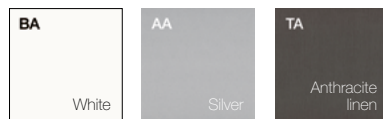
MFC cupboards

SPECIFICATION SHEET

CARCASS

Bottom, top and sides made from 18mm easy to clean scratch-resistant anti-reflective melamine faced chipboard (MFC), back panels in 8mm MFC, shelves in 25mm MFC. Panel density: 670/730 kgs per cubic meter.
Optional heavy duty 1.5mm epoxy powder coated steel shelves with lower rails to accept suspended files running front to back.

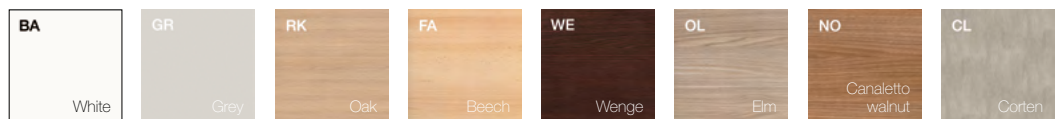
Finish options:



HINGED DOORS IN MELAMINE FACED CHIPBOARD (MFC)

Made from 18mm easy to clean scratch-resistant anti-reflective melamine faced chipboard (MFC) finished with 1.5mm matching ABS impact resistant edge. Panel density: 670/730 kgs per cubic meter.
Height/width/depth adjustable anti-corrosion treated metal hinges allowing 105° door opening. Lockable doors supplied with two folding keys.

Finish options:



HINGED DOORS IN LACQUERED MELAMINE FACED CHIPBOARD (MFC)

Made from 18mm easy to clean scratch-resistant anti-reflective melamine faced chipboard (MFC) finished with 1.5mm matching ABS impact resistant edges. The surface is coated using matt lacquers in a variety of colors. Panel density: 670/730 kgs per cubic meter.
Height/width/depth adjustable anti-corrosion treated metal hinges allowing 105° door opening. Lockable doors supplied with two folding keys.

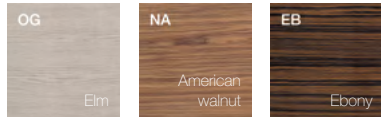
Finish options:



HINGED DOORS IN RECONSTITUTED VENEER

Made from 19mm veneered particle board, 0.6mm wood veneer on both surfaces, finished with 1mm veneer edging, 0.5mm radiused corners. Matt transparent semi-open pore varnish. Panel density: 720/790 kgs per cubic meter. Height/width/depth adjustable anti-corrosion treated metal hinges allowing 105° door opening. Lockable doors supplied with two folding keys.

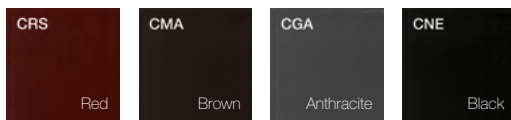
Finish options:



LEATHER COVERED HINGED DOORS

Made from 18mm melamine faced chipboard (MFC) finished with matching straight melamine edges. Panel density: 670/730 kgs per cubic meter. The door is covered with 1.3mm abrasion resistant leather finished with matching decorative stitching along the perimeter of the panel. Height/width/depth adjustable anti-corrosion treated metal hinges allowing 105° door opening. Lockable doors supplied with two folding keys.

Finish options:



HANDLES FOR MFC HINGED DOORS

Standard ABS handle

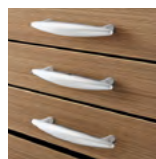
Look



Silver (J)
White (JB)
Anthracite (JR)

Optional metal handles

Pop



Silver (P)
Chrome (K)

Zen

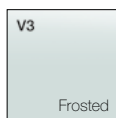


Silver (Z)
White (A)
Chrome (Y)
Anthracite (Q)

FRAMED GLASS HINGED DOORS

4mm tempered translucent white glass framed hinged doors, 20x19.2mm extruded aluminium frame. Height/width/depth adjustable anti-corrosion treated metal hinges allowing 105° door opening. Lockable doors supplied with two folding keys.

Glass finish options:



Frame finish options:



ABS handle



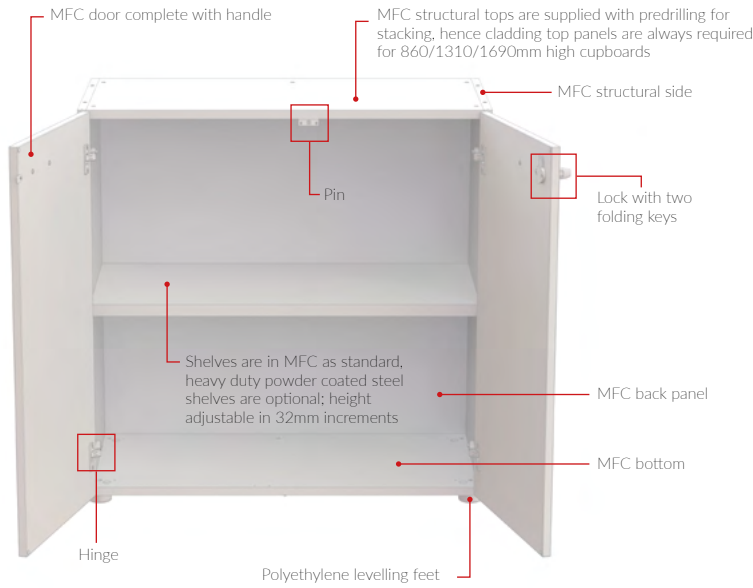
FRAMELESS GLASS HINGED DOORS

4mm tempered translucent smoked glass frameless hinged doors, polished edges and radiused corners. Height/width/depth adjustable anti-corrosion treated metal hinges allowing 105° door opening. Lockable doors supplied with two folding keys.

Glass finish options:



LOW HINGED DOOR CUPBOARD



Five ø50mm 27mm high polyethylene feet, 0-15mm adjustable ø25mm levellers.

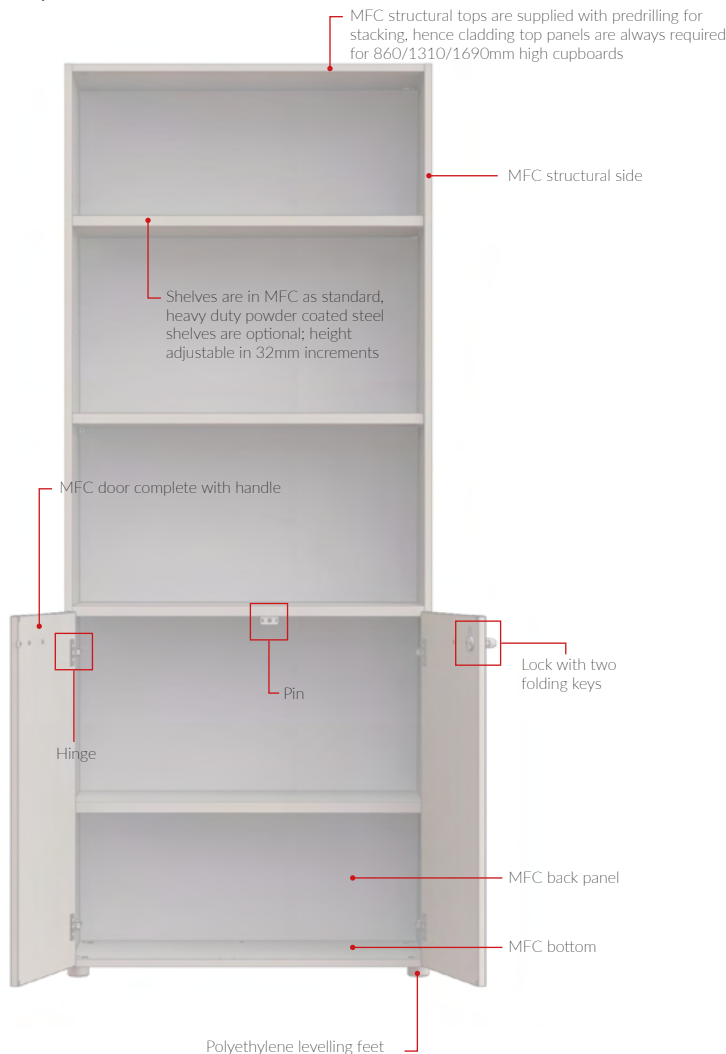


(OPTIONAL) 20x60mm 150mm high metal leg supplied with 0-15mm adjustable ø25mm levellers



(OPTIONAL) ø50mm 150mm high ABS leg supplied with 0-10mm adjustable ø52mm levellers

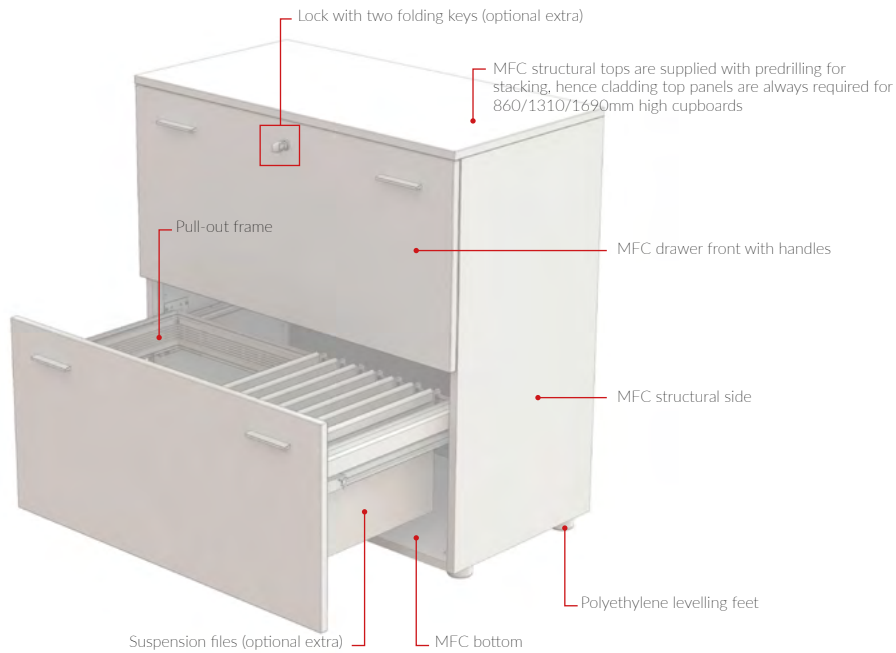
HIGH CUPBOARD, DOUBLE HINGED DOORS, OPEN SECTION ABOVE



MFC cupboards

SPECIFICATION SHEET

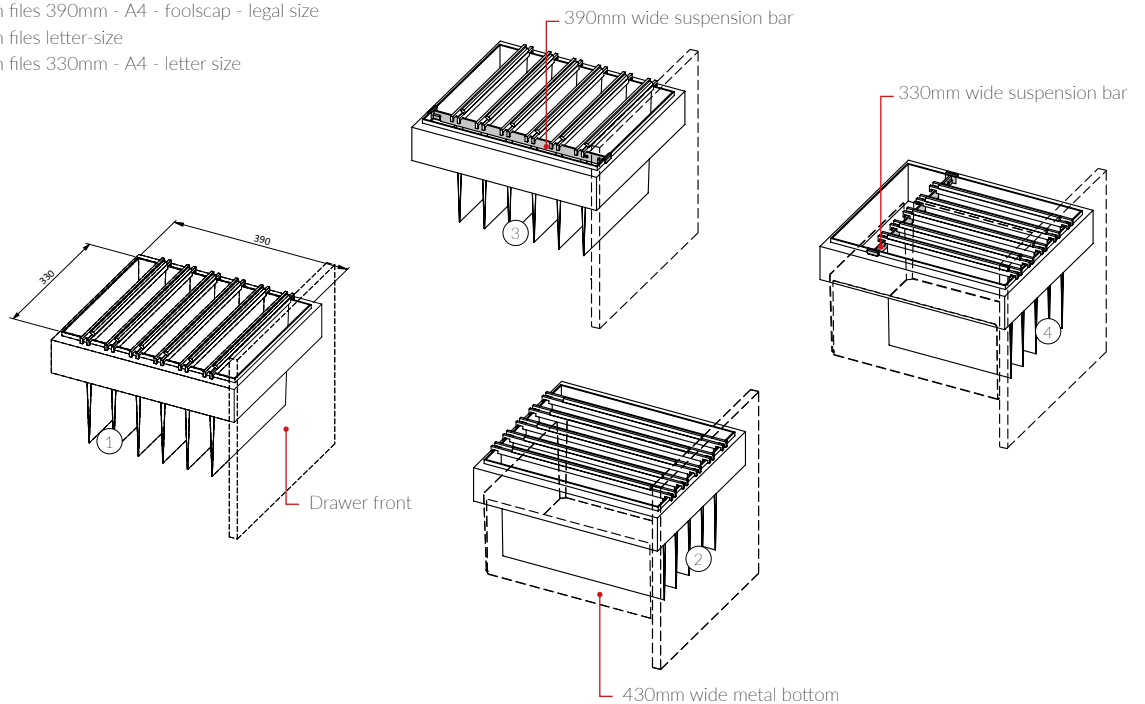
TWO DRAWER FILING CABINET



Please note: wall anchoring required

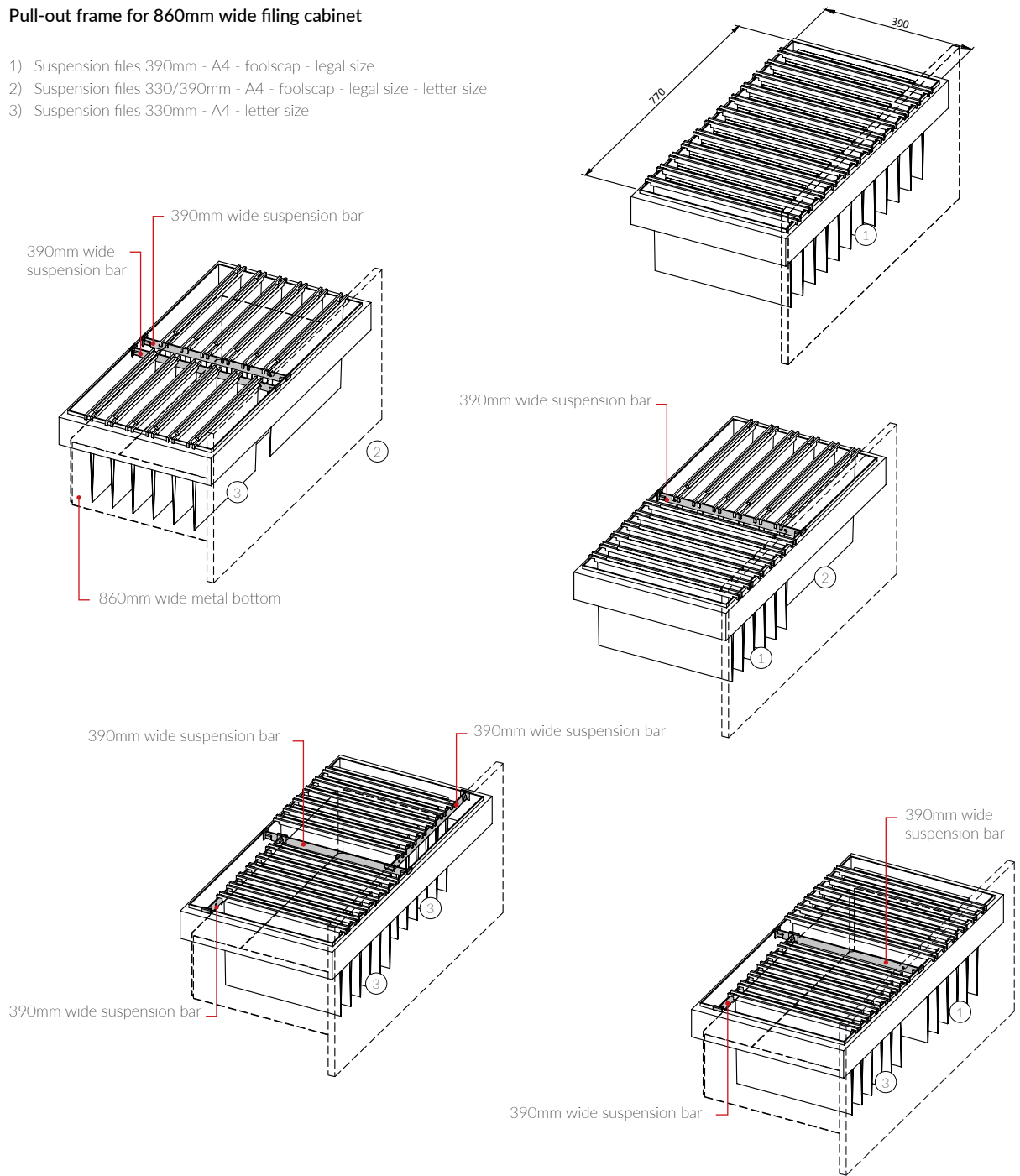
Pull-out frame for 430mm wide filing cabinet

- 1) Suspension files 330mm - A4
- 2) Suspension files 390mm - A4 - foolscap - legal size
- 3) Suspension files letter-size
- 4) Suspension files 330mm - A4 - letter size

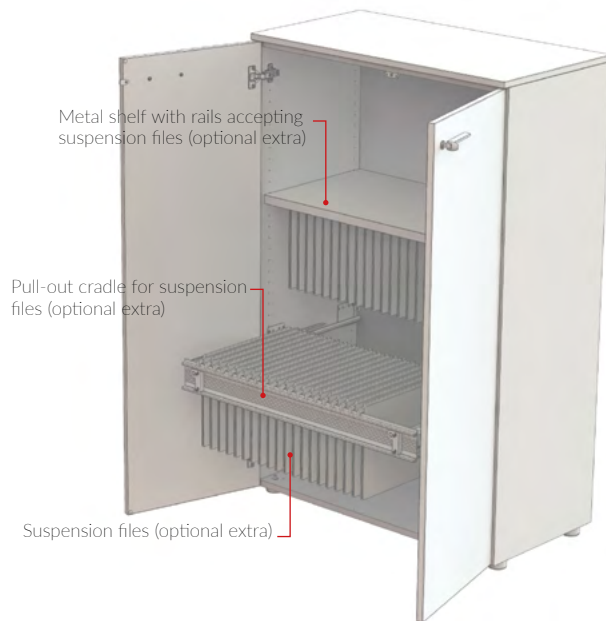


Pull-out frame for 860mm wide filing cabinet

- 1) Suspension files 390mm - A4 - foolscap - legal size
- 2) Suspension files 330/390mm - A4 - foolscap - legal size - letter size
- 3) Suspension files 330mm - A4 - letter size



1310MM HIGH HINGED DOOR CUPBOARD



Metal shelf with rails accepting suspension files (optional extra)

Pull-out cradle for suspension files (optional extra)

Suspension files (optional extra)



Metal shelf with rails accepting 330mm A4 suspension files (optional extra).

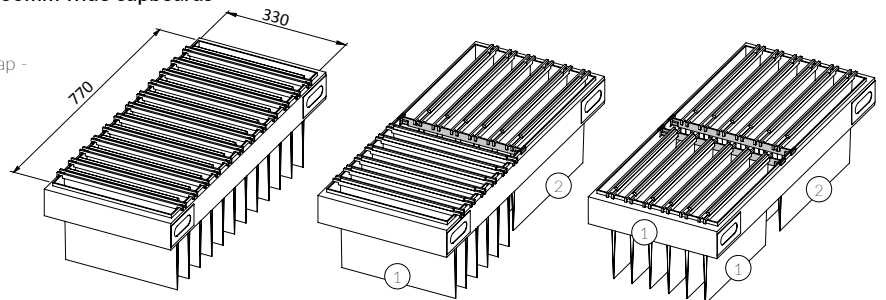


Pull-out cradle for suspension files for 860mm wide cupboards (optional extra)

Pull-out cradle for suspension files for 860mm wide cupboards

- 1) Suspension files 330mm - A4 - letter size
- 2) Suspension files 330/390mm - A4 - foolscap - legal size - letter size

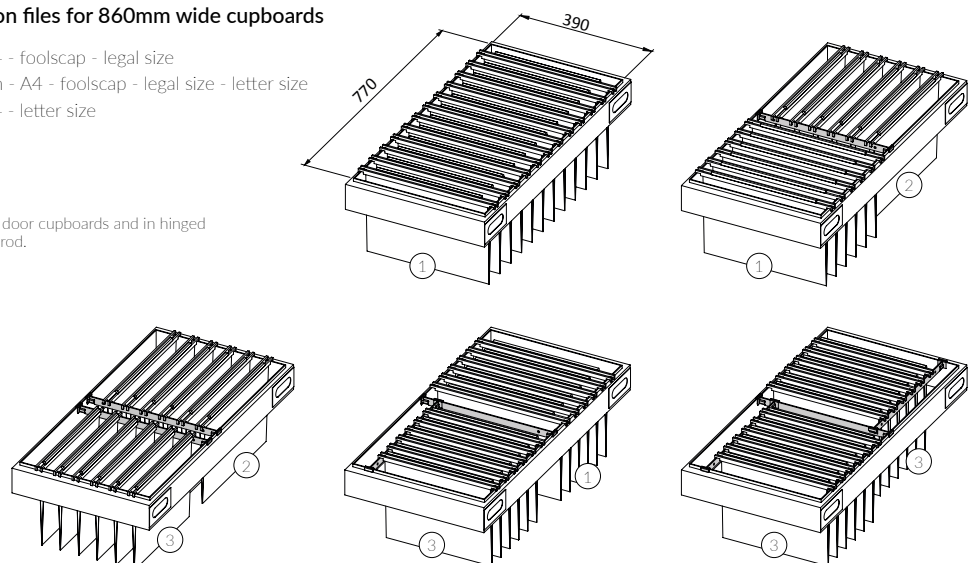
Please note: cannot be fitted in sliding door cupboards



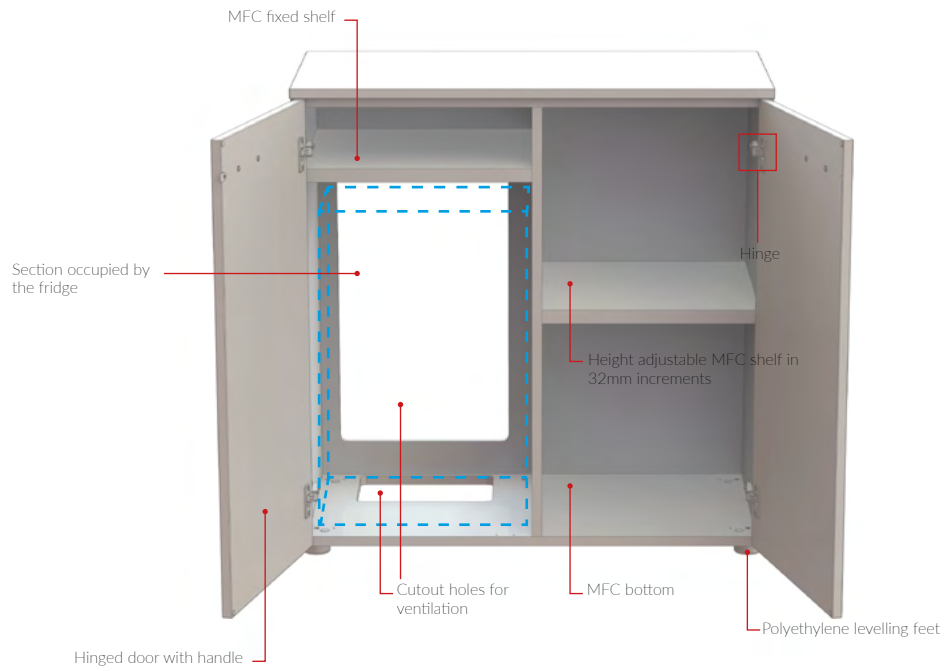
Pull-out cradle for suspension files for 860mm wide cupboards

- 1) Suspension files 390mm - A4 - foolscap - legal size
- 2) Suspension files 330/390mm - A4 - foolscap - legal size - letter size
- 3) Suspension files 330mm - A4 - letter size

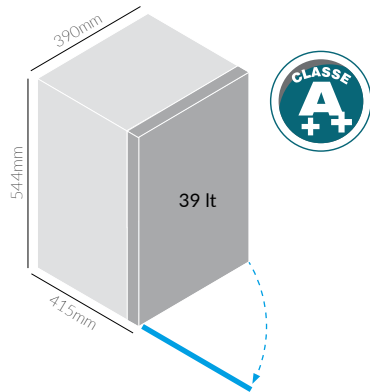
Please note: cannot be fitted in sliding door cupboards and in hinged door cabinets with multi-point locking rod.



LOW HINGED DOOR CUPBOARD WITH A FRIDGE

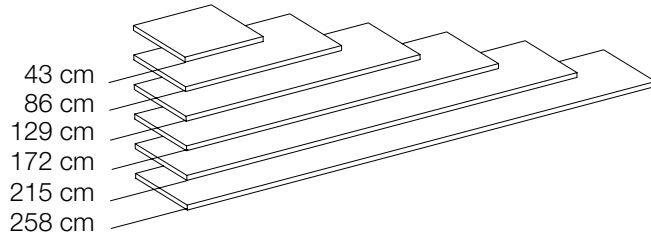


FRIDGE SIZE

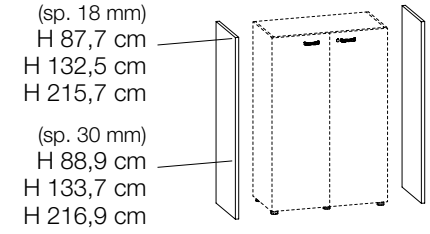


LAYOUT

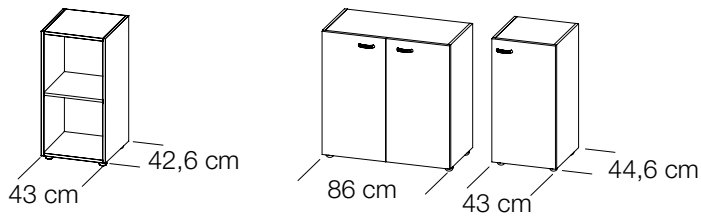
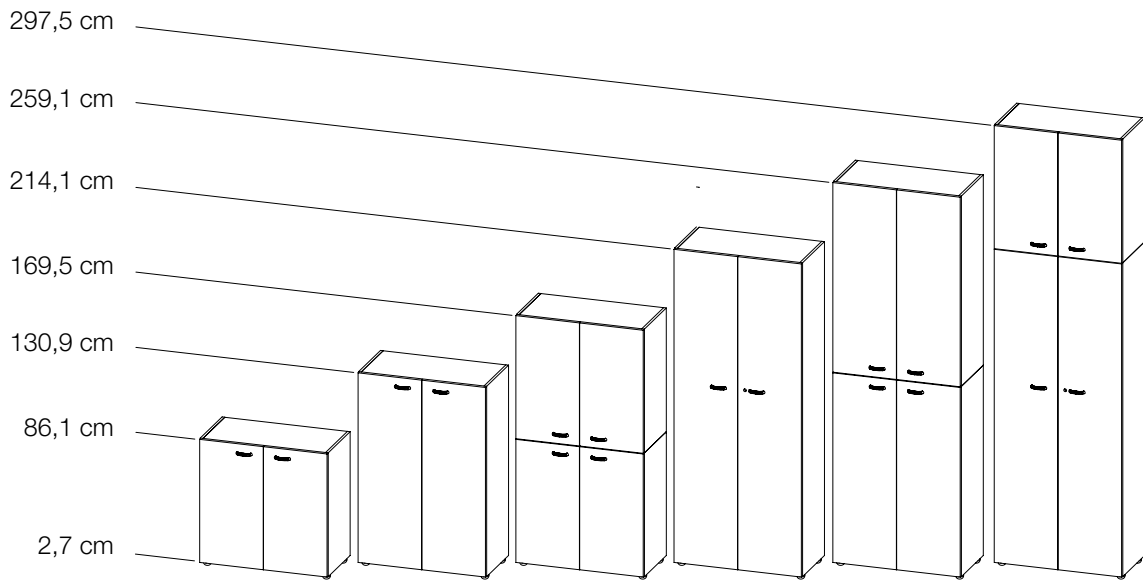
18/30mm thick cladding top panels



18/30mm thick cladding side panels

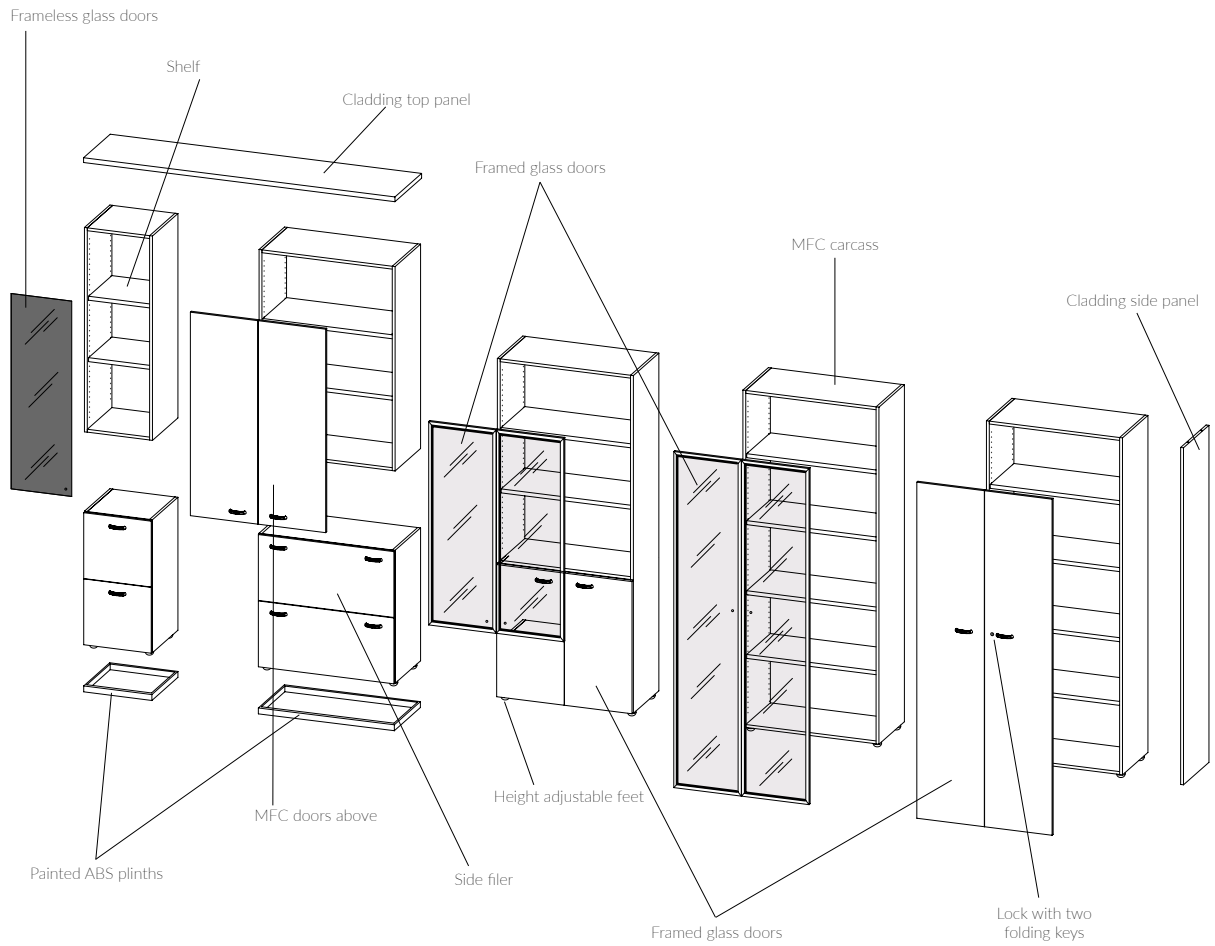


MFC cupboards (sizes do not include cladding tops)



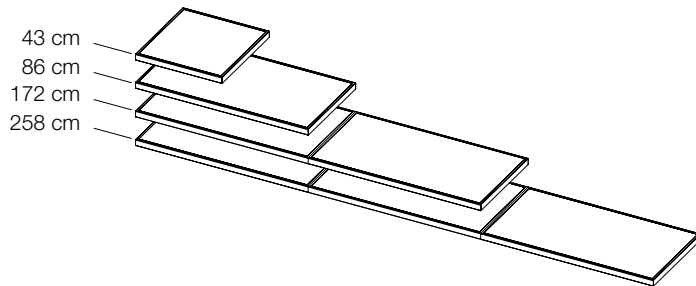
TECHNICAL FEATURES

MFC CUPBOARDS



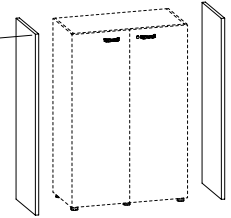
MFC CUPBOARDS WITH LEATHER COVERED CLADDING TOP

31.3mm thick leather covered cladding top panel



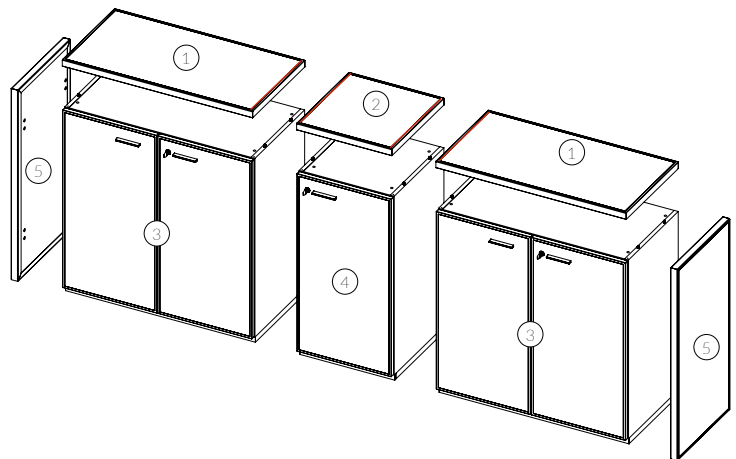
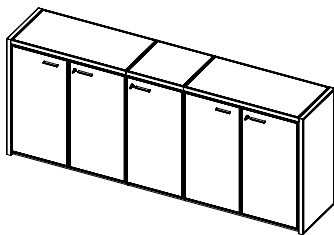
31.3mm thick leather covered cladding side panels

(sp. 31,3 mm)
H 89,2 cm
H 134,0 cm
H 217,2 cm

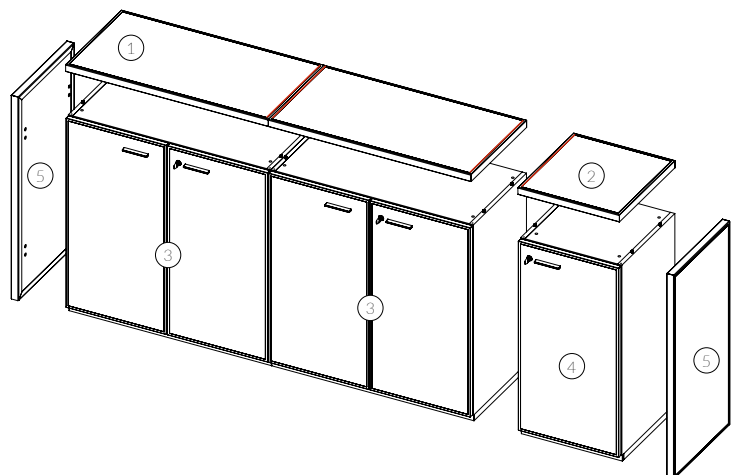
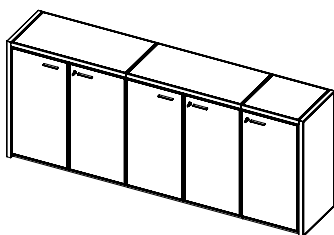


How to order cupboards with leather cladding tops

- 1) 860mm wide cladding top
- 2) 430mm wide cladding top
- 3) 860mm wide low cupboard with double doors
- 4) 430mm wide low cupboards with door
- 5) 860mm high cladding side



- 1) 860mm wide cladding top
- 2) 430mm wide cladding top
- 3) 860mm wide low cupboard with double doors
- 4) 430mm wide low cupboards with door
- 5) 860mm high cladding side



For technical reasons stitching is added:

- every 860mm on 1720mm and 2580mm wide cladding tops
- in the middle (1086mm) on 2172mm high cladding side panels

To clad 1290mm and 2150mm wide credenza units please specify 2no 860mm or 1no 1720mm cladding tops with 1no 430mm.

ACCESSORIES



24mm high ABS plinth, conceals height adjustable feet



25mm high aluminium profile, for using with 150mm high legs and cladding side panels



Pull-out frame



150mm high circular legs



150mm high rectangular legs



Metal shelf with rails accepting 330mm A4 suspension files

METAL STORAGE

SPECIFICATION SHEET

METAL CARCASS AND DOORS

Carcass and doors made from 0.7mm epoxy powder coated folded steel sheet metal.

Height/width/depth adjustable anti-corrosion treated metal hinges allowing 105° door opening. Lockable doors supplied with two folding keys.

Finish options:

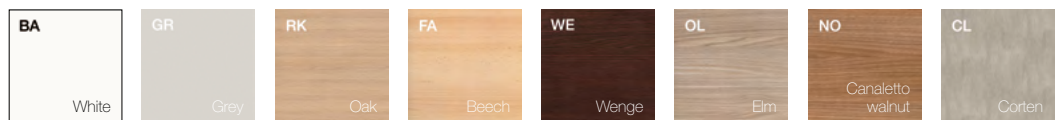


HINGED DOORS IN MELAMINE FACED CHIPBOARD (MFC)

Made from 18mm easy to clean scratch-resistant anti-reflective melamine faced chipboard (MFC) finished with 1.5mm matching ABS impact resistant edge. Panel density: 670/730 kgs per cubic meter.

Height/width/depth adjustable anti-corrosion treated metal hinges allowing 105° door opening. Lockable doors supplied with two folding keys.

Finish options:



HINGED DOORS IN LACQUERED MELAMINE FACED CHIPBOARD (MFC)

Made from 18mm easy to clean scratch-resistant anti-reflective melamine faced chipboard (MFC) finished with 1.5mm matching ABS impact resistant edges. The surface is coated using matt lacquers in a variety of colors. Panel density: 670/730 kgs per cubic meter.

Height/width/depth adjustable anti-corrosion treated metal hinges allowing 105° door opening. Lockable doors supplied with two folding keys.

Finish options:



Production lead time: 5 weeks exclusive of delivery time. Apart from the 18 shown finish options any RAL color can be made to order.

HINGED DOORS IN RECONSTITUTED VENEER

Made from 19mm veneered particle board, 0.6mm wood veneer on both surfaces, finished with 1mm veneer edging, 0.5mm radiused corners. Matt transparent semi-open pore varnish. Panel density: 720/790 kgs per cubic meter. Height/width/depth adjustable anti-corrosion treated metal hinges allowing 105° door opening. Lockable doors supplied with two folding keys.

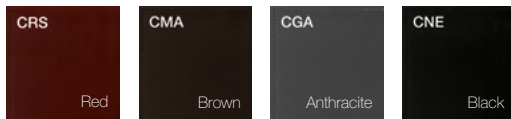
Finish options:



LEATHER COVERED HINGED DOORS

Made from 18mm melamine faced chipboard (MFC) finished with matching straight melamine edges. Panel density: 670/730 kgs per cubic meter. The door is covered with 1.3mm abrasion resistant leather finished with matching decorative stitching along the perimeter of the panel. Height/width/depth adjustable anti-corrosion treated metal hinges allowing 105° door opening. Lockable doors supplied with two folding keys.

Finish options:



HANDLES FOR MFC HINGED DOORS

Standard ABS handle

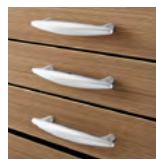
Look



Silver (J)
White (JB)
Anthracite (JR)

Optional metal handles

Pop



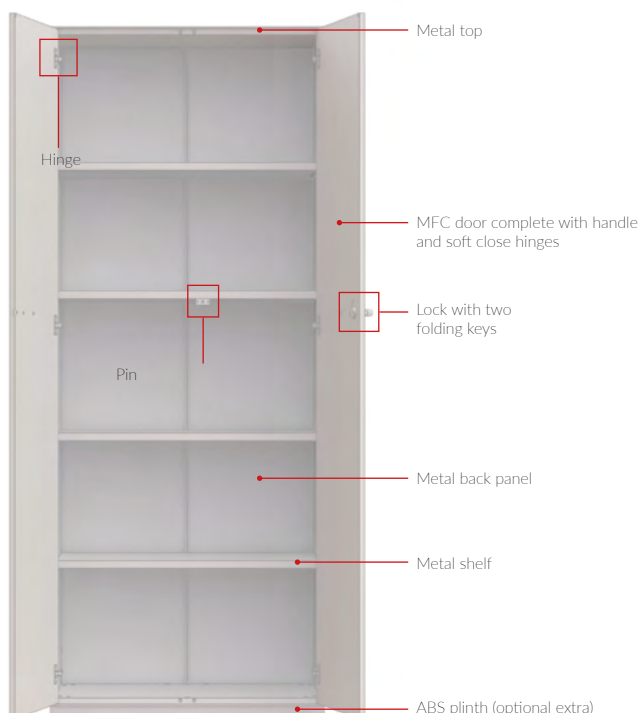
Silver (P)
Chrome (K)

Zen



Silver (Z)
White (A)
Chrome (Y)
Anthracite (Q)

HIGH METAL CUPBOARD WITH FULL HEIGHT HINGED DOORS



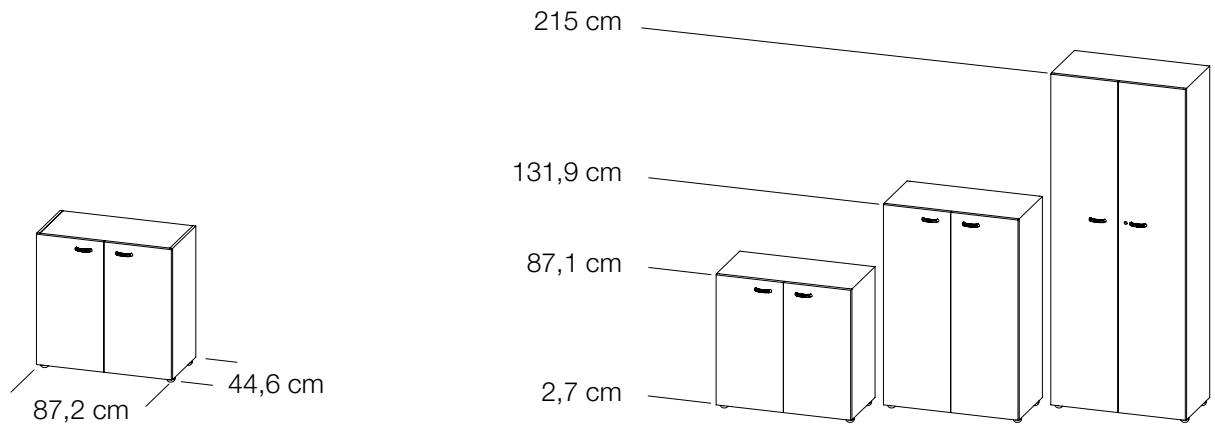
Four ø50mm 27mm high polyethylene feet, 0-15mm adjustable ø25mm levellers.



40mm high 75x75mm square ABS feet, 0-10mm adjustable ø20mm levellers.

LAYOUT

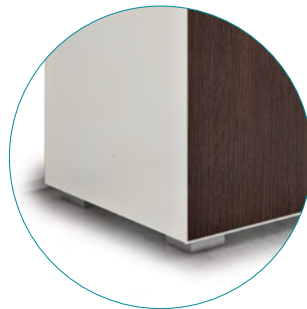
METAL STORAGE



ACCESSORIES



24mm high ABS plinth, conceals height adjustable feet



Painted ABS feet

SLIDING DOOR STORAGE

SPECIFICATION SHEET

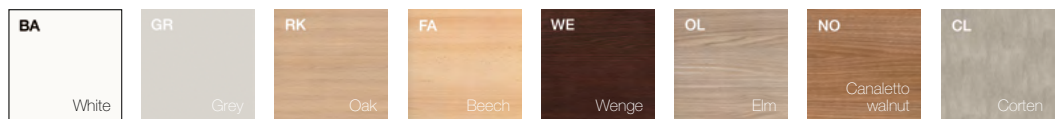
CARCASS

Bottom, top, sides, back panel are 18mm thick; divider and shelves are 25mm; both made from easy to clean scratch-resistant anti-reflective melamine faced chipboard (MFC), finished with 1.5mm matching ABS impact resistant edge.

Flush back panel with the rest of the carcass, ideal for when it is to be "on show".

Upper and lower embedded Pvc tracks.

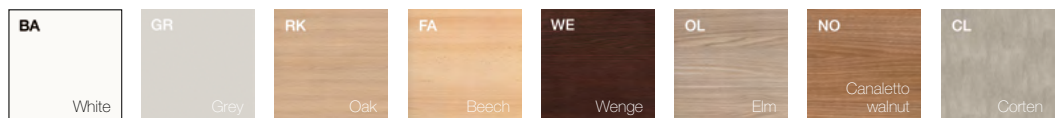
Finish options:



MFC SLIDING DOORS

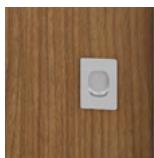
Made from 18mm easy to clean scratch-resistant anti-reflective melamine faced chipboard (MFC), finished with 1.5mm matching ABS impact resistant edge. Smooth running ABS door sliders, 0-3mm height adjustable. Supplied with lock and two folding keys. Painted ABS recessed handles. Panel density: 670/730 kgs per cubic meter.

Finish options:



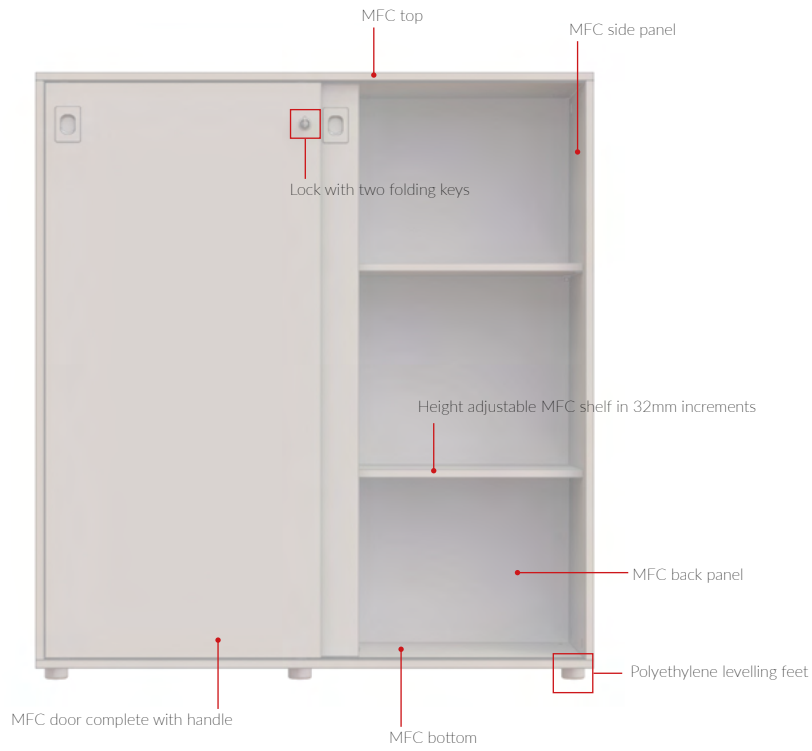
HANDLES FOR SLIDING DOORS

ABS handle



Silver (A)
White (I)
Anthracite (R)

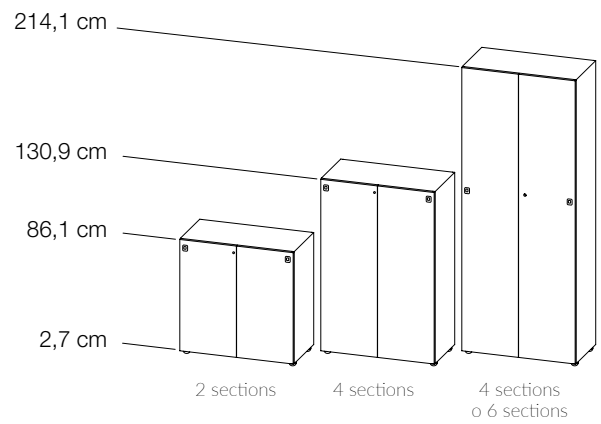
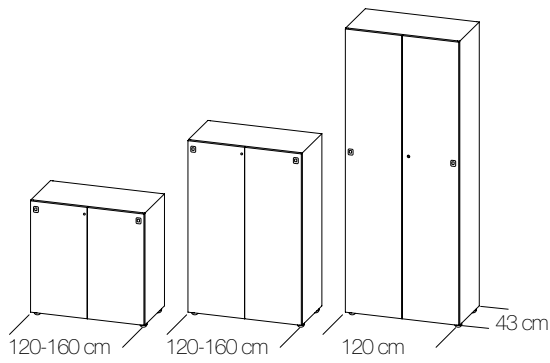
SLIDING DOOR STORAGE UNIT



Six ø50mm 27mm high polyethylene feet, 0-15mm adjustable ø25mm levellers.

LAYOUT

Sliding door storage



Please note: cladding top and side panels and not available and not required.

ACCESSORIES



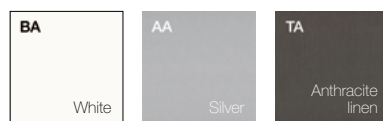
Metal plinth, conceals height adjustable feet

SPECIFICATION SHEET

CARCASS

Bottom, top and sides made from 18mm easy to clean scratch-resistant anti-reflective melamine faced chipboard (MFC), back panels in 8mm MFC, shelves in 25mm MFC.

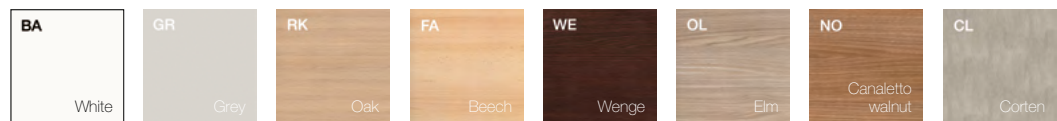
Finish options:



HINGED DOORS IN MELAMINE FACED CHIPBOARD (MFC)

Made from 18mm easy to clean scratch-resistant anti-reflective melamine faced chipboard (MFC) finished with 1.5mm matching ABS impact resistant edge. Panel density: 670/730 kgs per cubic meter. Height/width/depth adjustable anti-corrosion treated metal hinges allowing 105° door opening. Lockable doors supplied with two folding keys.

Finish options:



HINGED DOORS IN LACQUERED MELAMINE FACED CHIPBOARD (MFC)

Made from 18mm easy to clean scratch-resistant anti-reflective melamine faced chipboard (MFC) finished with 1.5mm matching ABS impact resistant edges. The surface is coated using matt lacquers in a variety of colors. Panel density: 670/730 kgs per cubic meter. Height/width/depth adjustable anti-corrosion treated metal hinges allowing 105° door opening. Lockable doors supplied with two folding keys.

Finish options:



Production lead time: 5 weeks exclusive of delivery time. Apart from the 18 shown finish options any RAL color can be made to order.

HANDLES FOR MFC HINGED DOORS

Standard ABS handle

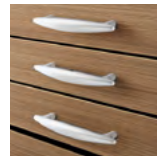
Look



Silver (J)
White (JB)
Anthracite (JR)

Optional metal handles

Pop



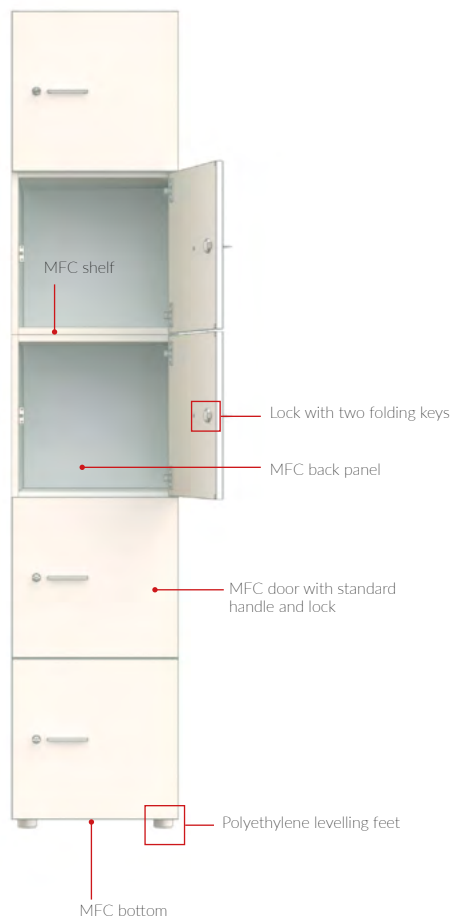
Silver (P)
Chrome (K)

Zen



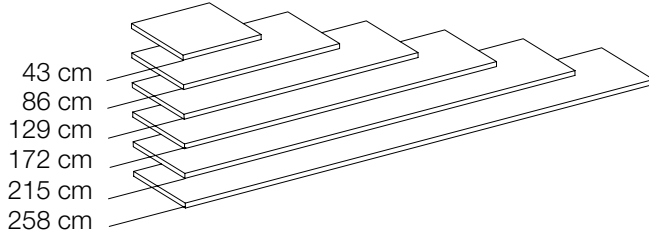
Silver (Z)
White (A)
Chrome (Y)
Anthracite (Q)

LOCKER MADE OF FIVE MODULES

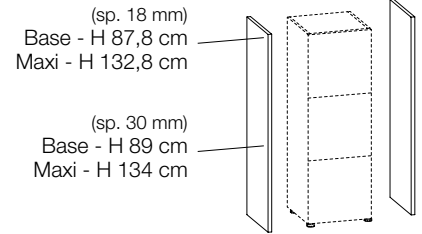


LAYOUT

18/30mm thick cladding top panels

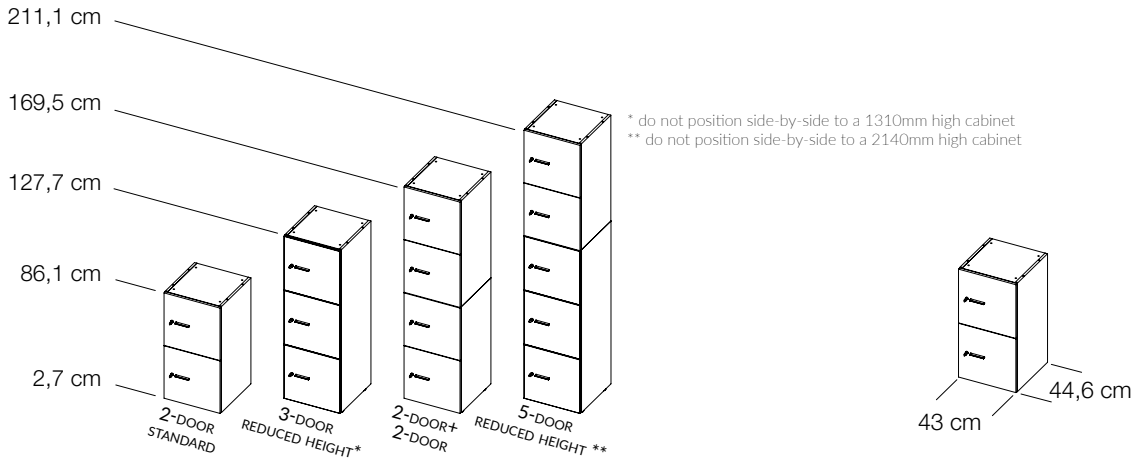


18/30mm thick cladding side panels



Please note: cladding side panels for 3-door reduced height and 5-door reduced height lockers are available as a special.

413mm high locker doors - sizes do not include cladding tops and sides



423mm high locker doors - sizes do not include cladding tops and sides



ACCESSORIES



24mm high ABS
plinth, conceals height
adjustable feet

SUSTAINABILITY & CERTIFICATIONS



MATERIALS AND RECYCLABILITY

Panels used on Storage range are exclusively 100% made by recycled wood and respect low formaldehyde emission (CATAS certification Quality Award Formaldehyde E1). Resins used on panels and melamine paper are SVHC substances free (reported on ECHA list update to 12/01/2017).



STANDARDS

Boiserie range has passed the following tests, attested by **CATAS** analysis laboratory in San Giovanni al Natisone (UD).

- EN 14073-2:2004, PAR 3.4 Requisiti generali di sicurezza
- EN 14073-2:2004, PAR 5.2 Resistenza della struttura
- EN 14073-2:2004, PAR 5.3.1 Resistenza all'estrazione dei ripiani
- EN 14073-2:2004, PAR 5.3.2 Resistenza dei supporti dei piani
- EN 14074:2004, PAR 6.3.1 Carico verticale sulle porte
- EN 14074:2004, PAR 6.3.2 Carico statico orizzontale sulle porte
- EN 14074:2004, PAR 6.3.3 Durata delle porte con cerniere su asse verticale
- EN 14073-3:2004, PAR 5.5 Stabilità elementi autoportanti
- EN 15570:2008, PAR.6.3.7 Prova di durata delle cerniere
- UNI 8601:1984 Flessione dei piani
- UNI 8606:1984 Carico totale massimo
- UNI 8599:1984 Sovrapposibilità
- UNI 10715:1999, PAR. 10.4 Cerniere a tazza. Prova di durata.
- UNI 10715:1999 PAR. 10.8 Cerniere a tazza. Carico statico verticale.
- UNI 10715:1999 PAR. 10.10 Cerniere a tazza. Carico statico orizzontale.
- UNI 10715:1999 PAR.10.12 Cerniere a tazza. Prova di sovraccarico.



CERTIFICATIONS

Constantly receptive to market requirements, Quadrifoglio Group pay special attention on quality and safety contents in order to provide high products and services. The Company has reached certifications UNI EN ISO 9001/2008, UNI EN ISO 14001/2004 and BS OHSAS 18001/2007 to confirm his policy. Our products are certified and ensured by FSC™ and ECOLOGICAL PANEL.

COMPANY WITH
MANAGEMENT SYSTEM
CERTIFIED BY DNV GL
= ISO 9001 =
= ISO 14001 =
= OHSAS 18001 =



GREEN ENERGY

The Company had installed the photovoltaic system with 4.500 solar panels in a 7.350 m² surface that covers almost entirely the factory. The photovoltaic is able to produce 1Mw of a quiet green energy, that does not harm the environment and is waste-free. With his high production capacity the photovoltaic allows us to reduce emissions in the atmosphere of all those polluting substances and to those that contribute to the greenhouse effects. Consequently, such measures make us save every year 180 tonne of petrol oil, 440 tonne of CO₂, 514kg of sulphur dioxide, 448 kg of nitrogen oxide and 23kg of dust.



TRANSPORT

Packaging is reduced in order to decrease volumes. Goods collections are responsibly managed and organised with the aim of optimise transports, reducing atmosphere emissions.

Storage